

Wall Shelving

MOEBE

REQUIRED:



Drill



Hammer

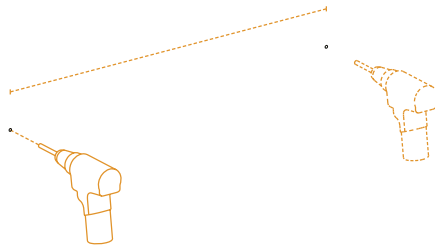


Water level



Ruler

1



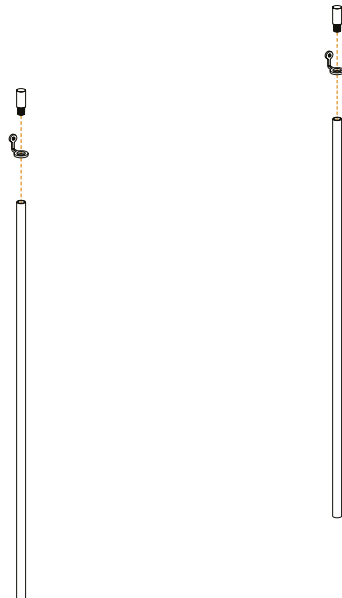
Mark and drill holes for the two upper mounting clips. These holes must be leveled and 766 mm apart. Use an adequate wall plug suited for your wall type.

2



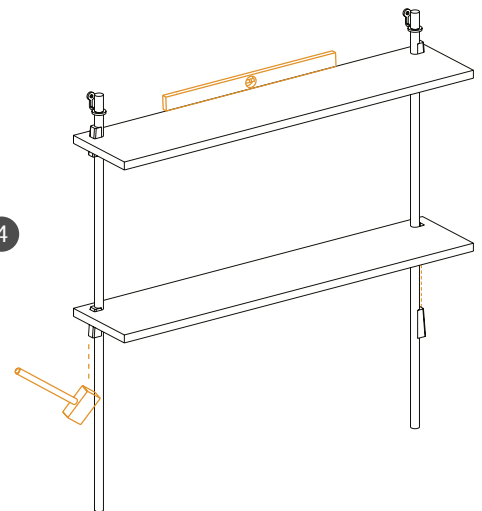
Fix the upper mounting clips with the provided screws.

3



Assemble two of the legs by screwing the end bolts into the legs from above.

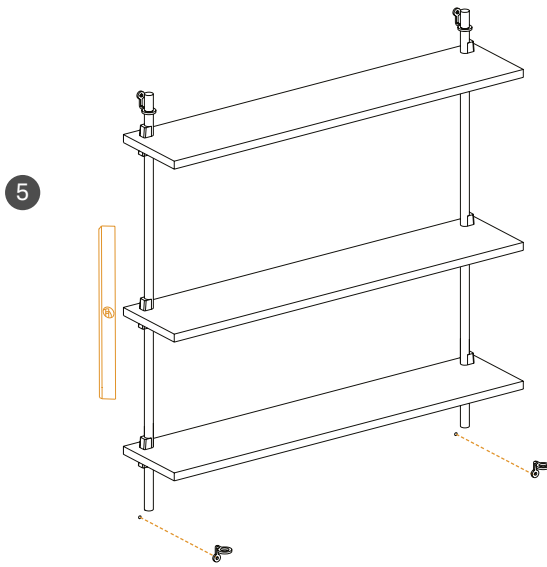
4



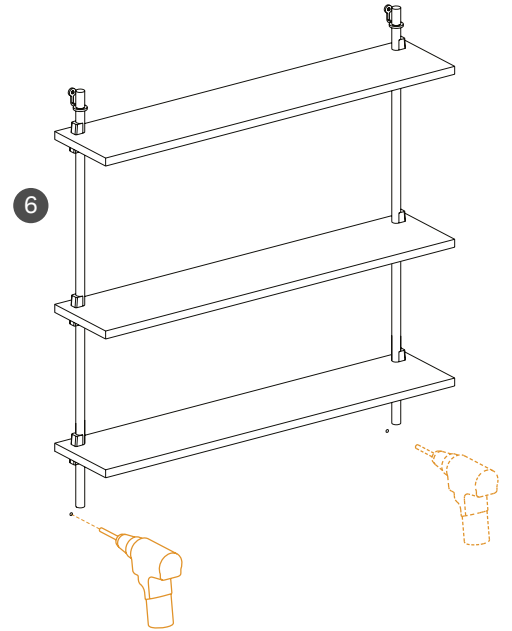
Pull the shelves up from below along the legs. Use a water level to make sure they are leveled. Once you have positioned the shelf, secure it with two wedges. Tap them with a hammer.

Wall shelving

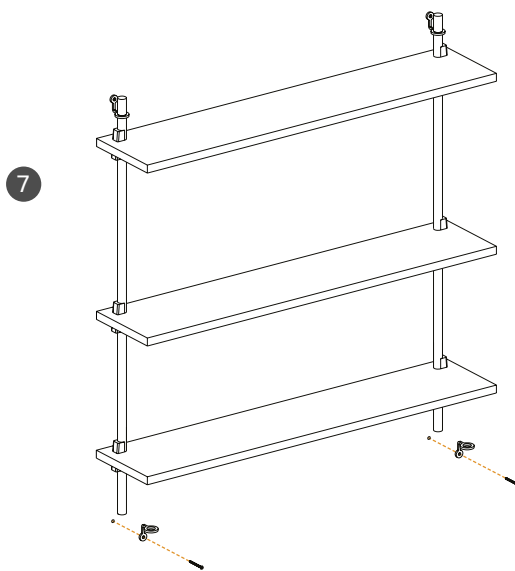
MOEBE



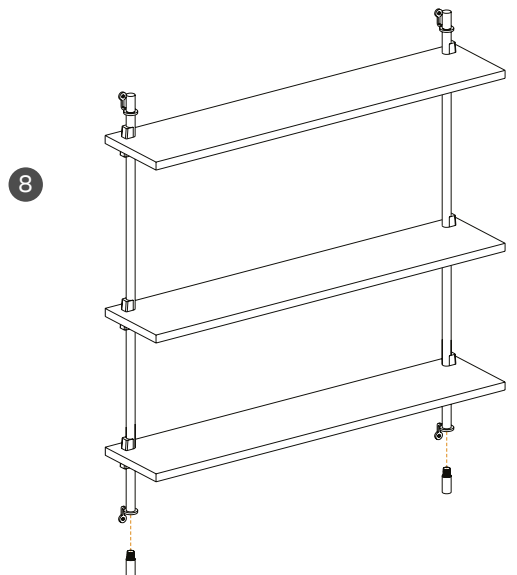
Level the legs vertically and mark the holes for the lower mounting clips.



Drill the holes for the lower mounting clips.



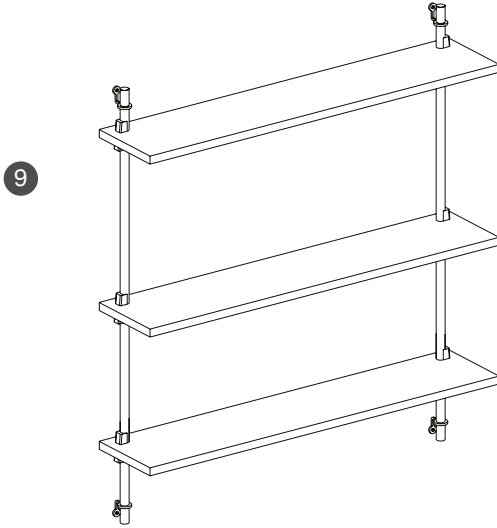
Fix the lower mounting clips with the provided screws.



Secure the last two end bolts from below to complete the assembly.

Wall shelving

MOEBE



Done!

Wall Shelving - Floor standing

MOEBE

REQUIRED:



Drill



Hammer



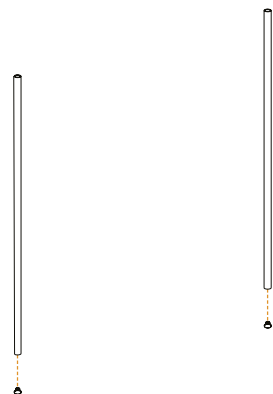
Water level



Ruler

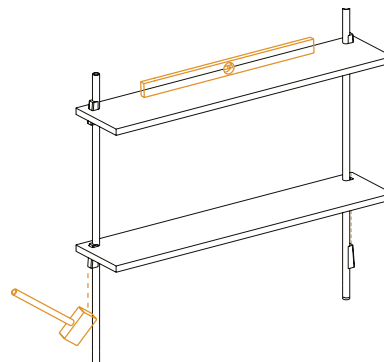
Use a water level to ensure that the shelves are level.

1



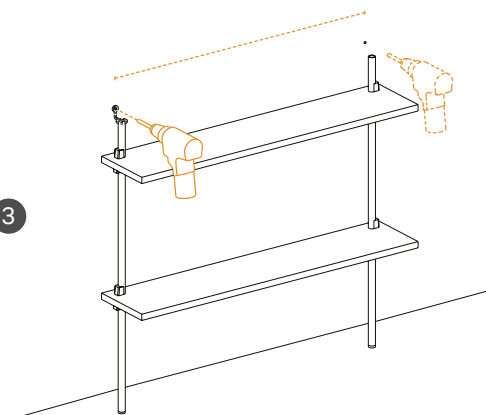
Start by installing two end caps in the bottom of each leg.

2



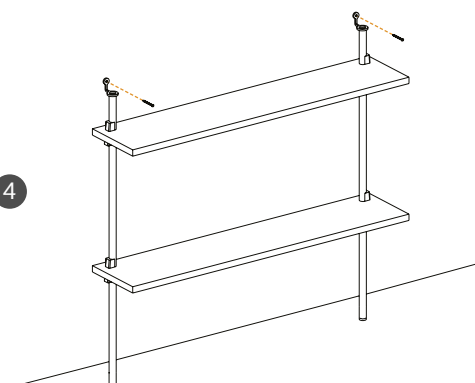
Assemble all shelves that should be in this section. Pull the shelves up from below along the legs. Use a water level to make sure that they are leveled. Once you have positioned the shelf, secure it with two wedges. Tap them with a hammer.

3



Lean the lower section against the wall, mark and drill the first two mounting holes. These holes must be leveled and 766 mm apart. Use an adequate wall plug suited for your wall type.

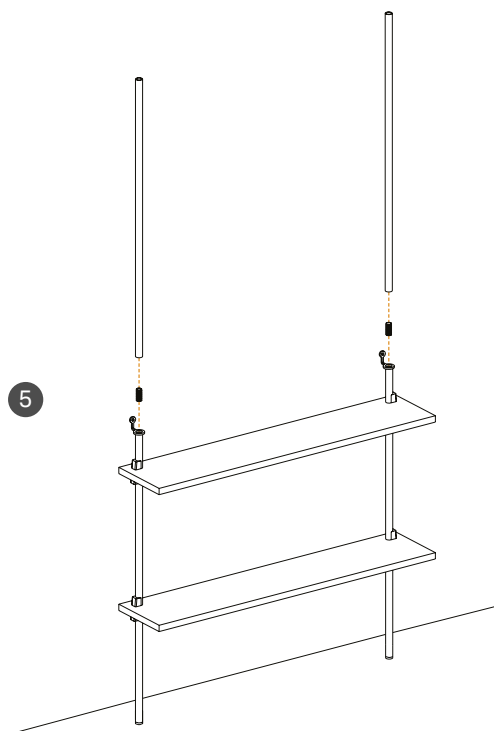
4



Fix the upper mounting clips with the provided screws.

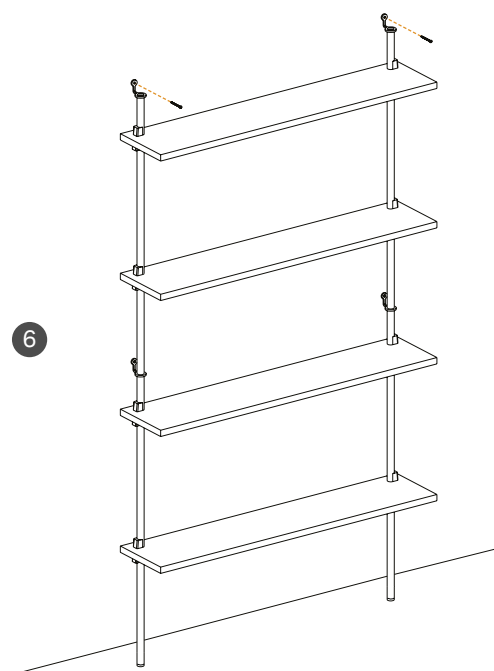
Wall Shelving - Floor standing

MOEBE



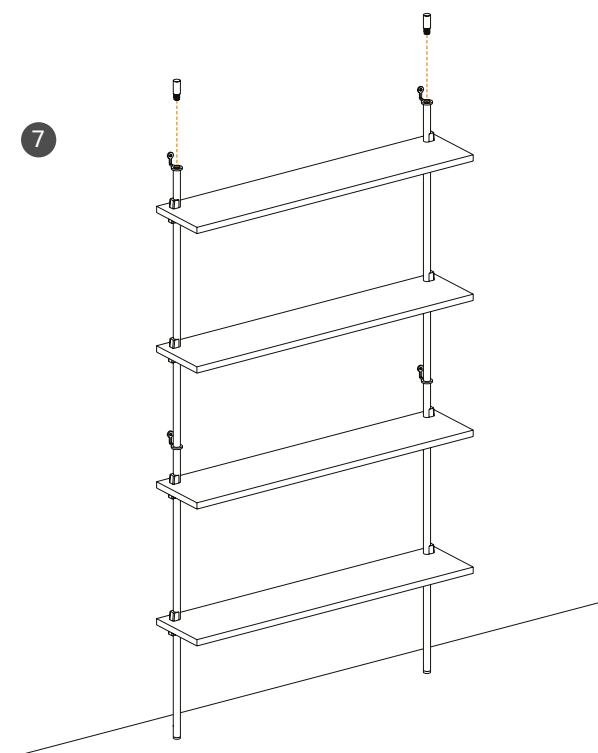
5

Screw the connector screws as far into the legs as possible. Add the leg extensions by screwing them tight against the lower part of the legs.



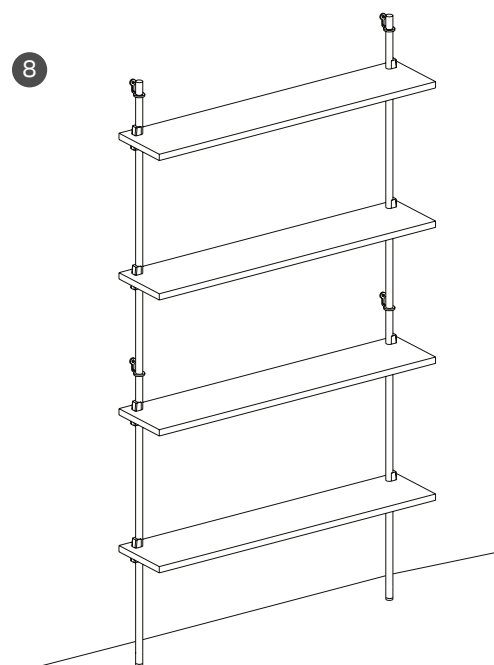
6

Assemble the remaining shelves by sliding them down from the top. Drill holes for the upper mounting clips and secure them to the wall.



7

Secure the top two end bolts from above to complete the assembly.



8

Done!

Congratulations on your new Wall Shelving!

The MOEBE Wall Shelving gives you full freedom to build your own piece of furniture. Build as tall as you like, build as wide as you like.

As a modular system, Wall Shelving is built entirely from individual parts. It can be customised and adapted again and again.

All shelves are held in place by 2 wedges in the inner corners. The combination of the wedges and the smooth legs allows the shelves to be positioned wherever desired, without any limitations.

Care instructions

For care instructions, please visit moebe.dk

